

**INSPECTION
CERTIFICATE**
TRACEABLE TO PTB

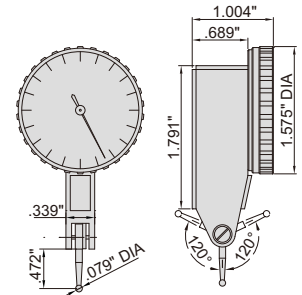
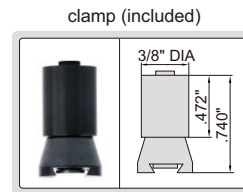
PRECISION DIAL TEST INDICATOR

INSIZE PLUS
MADE IN GERMANY

- Ceramic bearing
- Anti magnetic carbide contact point
- Two measuring directions
- Supplied with one clamp: 3/8" DIA
- Optional accessory: styli (page 77)



2834-008



Part No.	Range	Graduation	Accuracy	Range/rev	Dial reading
2834-008 *	.008"	.0001"	±.0001"	.008"	0-4-0

* Supplied with manufacturer inspection certificate traceable to PTB

**INSPECTION
CERTIFICATE**
TRACEABLE TO PTB

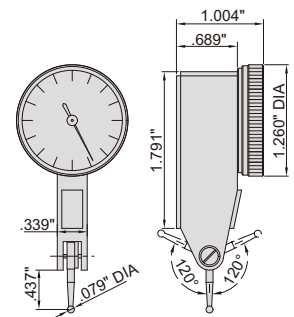
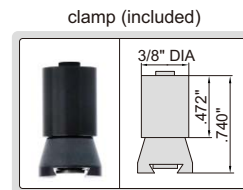
DIAL TEST INDICATOR

INSIZE PLUS
MADE IN GERMANY

- Ceramic bearing
- Anti magnetic carbide contact point
- Two measuring directions
- Supplied with one clamp: 3/8" DIA
- Optional accessory: styli (page 77)



2835-03



Part No.	Range	Graduation	Accuracy	Range/rev	Dial reading
2835-03 *	.03"	.0005"	±.0005"	.015"	0-15-0

* Supplied with manufacturer inspection certificate traceable to PTB

**INSPECTION
CERTIFICATE**
TRACEABLE TO NIST

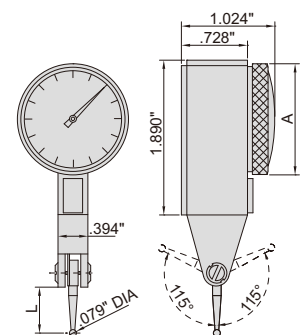
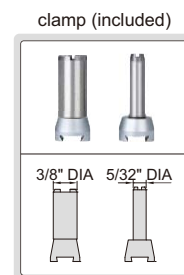
**JEWELLED
BEARING**

DIAL TEST INDICATORS

- Jeweled bearing
- Carbide contact point
- Two measuring directions
- Anti magnetic body
- Supplied with two clamps: 5/32" DIA and 3/8" DIA
- Optional accessory: styli (page 77)



2380-31



Part No.	Range	Graduation	Accuracy	Dial reading	A	L
2380-31 *	.03"	.001"	±.001"	0-15-0	1.181" DIA	.50"
2380-35 *	.03"	.0005"	±.0005"	0-15-0	1.181" DIA	.50"
2380-301 *	.008"	.0001"	±.0001"	0-40-0	1.181" DIA	.563"
2381-31 *	.03"	.001"	±.001"	0-15-0	1.457" DIA	.50"
2381-35 *	.03"	.0005"	±.0005"	0-15-0	1.457" DIA	.50"
2381-301 *	.008"	.0001"	±.0001"	0-40-0	1.457" DIA	.563"

* Supplied with manufacturer inspection certificate traceable to NIST